



# Hahn Rollenband NG

Slender form for aluminium doors subject to heavy use

**!** **NEW**



● **Elegant**

● **Strong**

● **Slender**

...mit  
**hahnfunction**<sup>®</sup>





# Hahn Rollenband NG

For aluminium doors subject to heavy use

Attractive design  
due to slender 20 mm hinge curl

High stability  
owing to solid, anodised  
aluminium pin

Easy to install  
thanks to hinge parts sliding  
in frame

Clean look  
due to closed assembly gap

Wide variety of colours  
available in all major RAL colours  
and anodised design

Maintains thermal insulation  
of sections without extra parts

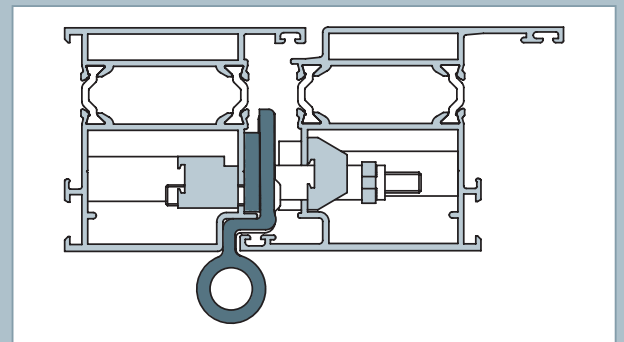
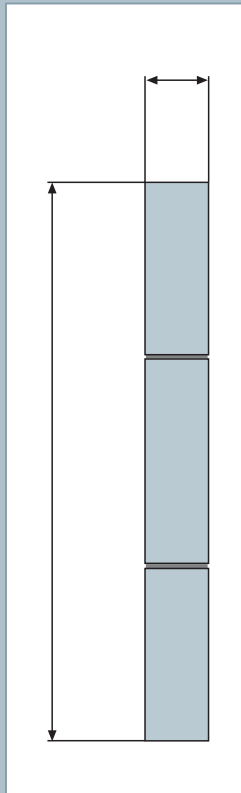
Continuously variable  
horizontal adjustment  
without offsetting hinge curl and  
loosening the fastening screws  
( $\pm 1.5$  mm)

Heavy duty bearing bushings  
optionally available in black or white

Continuous variable  
vertical adjustment  
by one person ( $\pm 2.5$  mm)

## Other advantages

- Possible to use 3 hinges depending on load
- System-adapted drilling jigs for different systems included
- Hinge parts made of extruded aluminium
- Best surface quality for long-term use





Discreet elegance that is inherent

---



Extraordinarily slender and elegant with innovative adjustment technology, our butt hinge is remarkable and yet inconspicuous. It integrates stylish residential and industrial doors into the entrance area due to its hinge curl, which has a diameter of 20 mm.

Thanks to ideally matched components and a patented adjustment platform that is concealed inside the door section, it is possible to adjust aluminium doors weighing up to 120 kg without having to raise or remove the door.



## Installation instructions

---

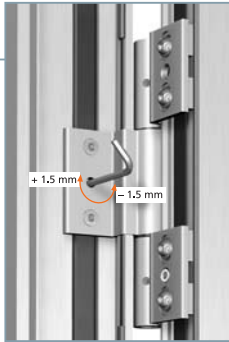
Especially for this type of hinge we have system oriented assembly drawings with **important details** for correct installation.

These can be applied for under phonenumber

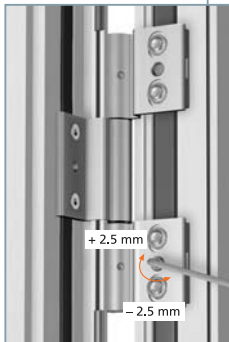
**+49 (0) 2166 954-476**

The Dr Hahn Sales Engineer will kindly assist with a trial assembly in our workshop. For contact please apply under [www.dr-hahn.de](http://www.dr-hahn.de)

## Installation/adjustment instructions



Horizontal adjustment  
 $\pm 1.5$  mm using integrated adjustment platform.



Height adjustment using eccentric element at the bottom hinge (adjustment range  $\pm 2.5$  mm).



## Many systems – One butt hinge

Our Butt Hinges NG are solutions specifically adapted to frame sections, the basic form always remains the same however. A single person can adjust the door in four directions while it is mounted – without any gap or misalignment of contour.

A continuous bearing pin made of aluminium and the two-piece door frame hinge part can very easily support various door weights. As is standard in Hahn hinges, the Butt Hinge NG is maintenance-free and available in all major RAL colours and anodised design.

True to our motto:

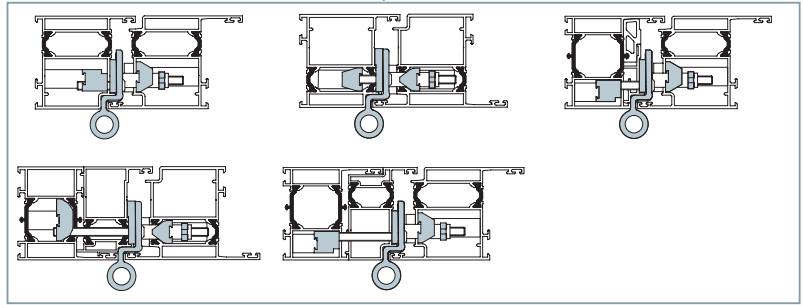
**The fitting solution for every situation.**



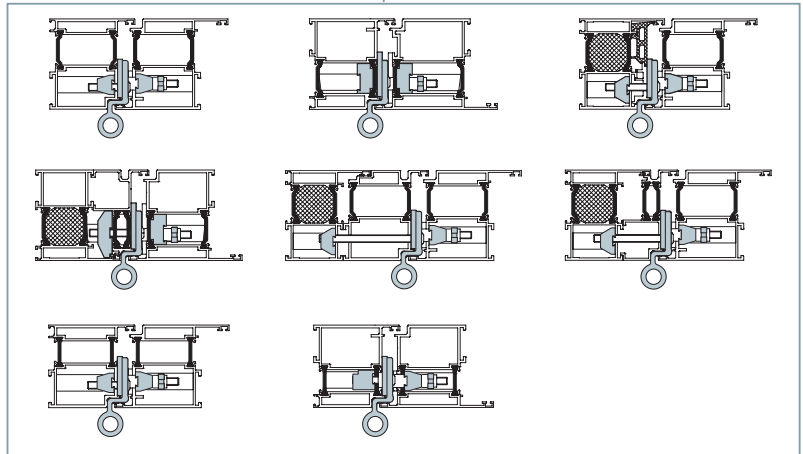
## Profile examples

(Other applications available on request)

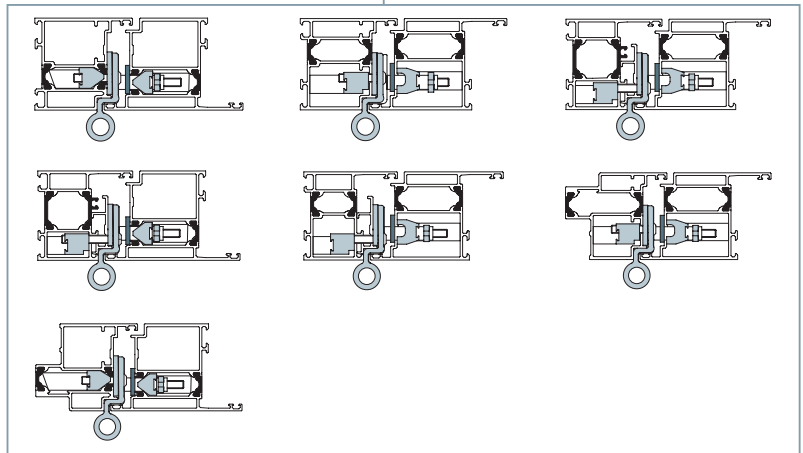
### Heroal



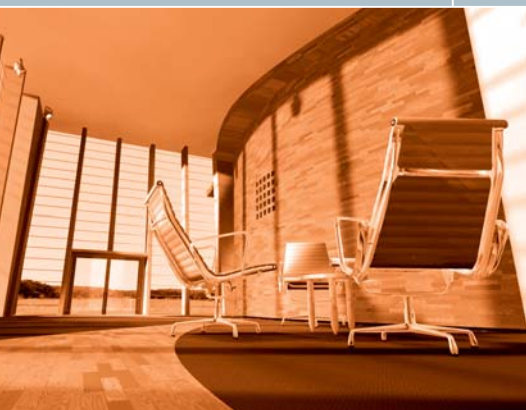
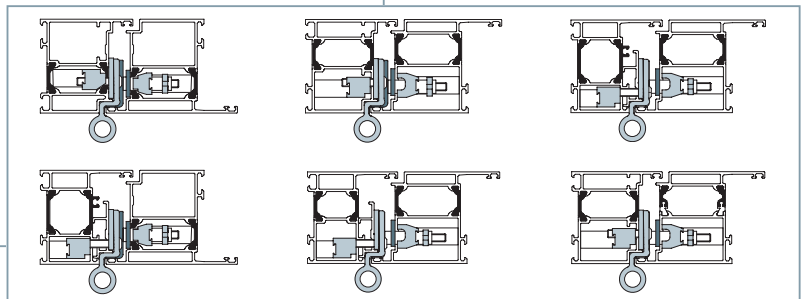
### Hueck



### Schüco S65



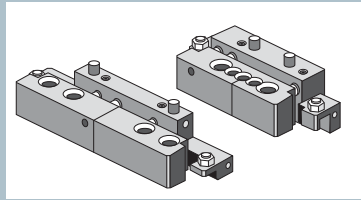
### Schüco S70



# Hahn Rollenband NG

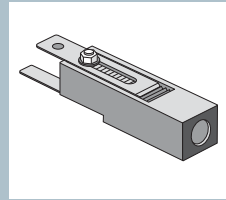
## Item numbers Accessories

Drilling jig  
(two parts)



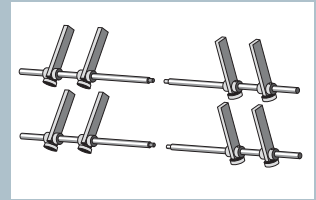
Item numbers on request

Positioning tool



A650A039

Rods for drilling jig  
(2 for frame, 2 for door leaf)



T309A0052

## Note

Our butt hinges are system-adapted. Different profile combinations require special solutions. That's why inquiries should include the exact measurements of the profile combinations to be used.

Only start with the mounting after having read the detailed assembly drawings and after you have completed the pre-work. Please make sure that the assembly drawings are up-to-date and correlate with the design of the profilesystem. **"Dr. Hahn will not accept liability for any damages caused by incorrect handling of our products."** In case of doubt please contact your Sales Engineer in the field.